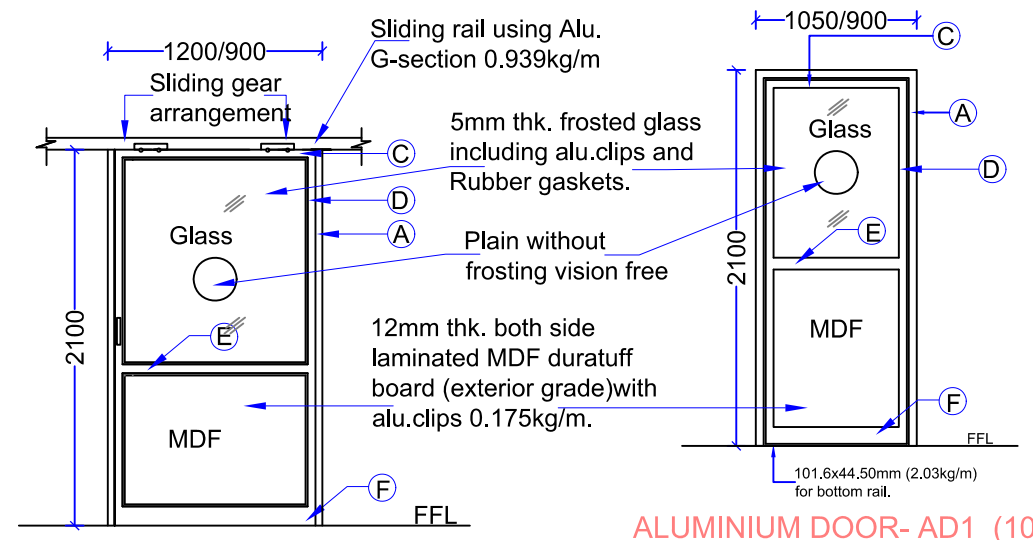


**AG-1 Alu. Partition -3215mmX2965mm**  
**PARTITION IN ROOM-5 - VIEW - 1**  
 Schedule Item No: 34(f)

**AG-2 Alu. Partition -3215mmX1350mm**  
**PARTITION IN ROOM-6&8 - VIEW - 2**  
 Schedule Item No: 34(g)



**Alu.SLIDING DOOR**  
**SD1 - 1200 x 2100mm**  
**SD2 - 900 x 2100mm**  
 SCHEDULE ITEM NO:34(a)&(b)

**ALUMINIUM DOOR- AD1 (1050X2100)**  
**ALUMINIUM DOOR- AD2 (900X2100)**

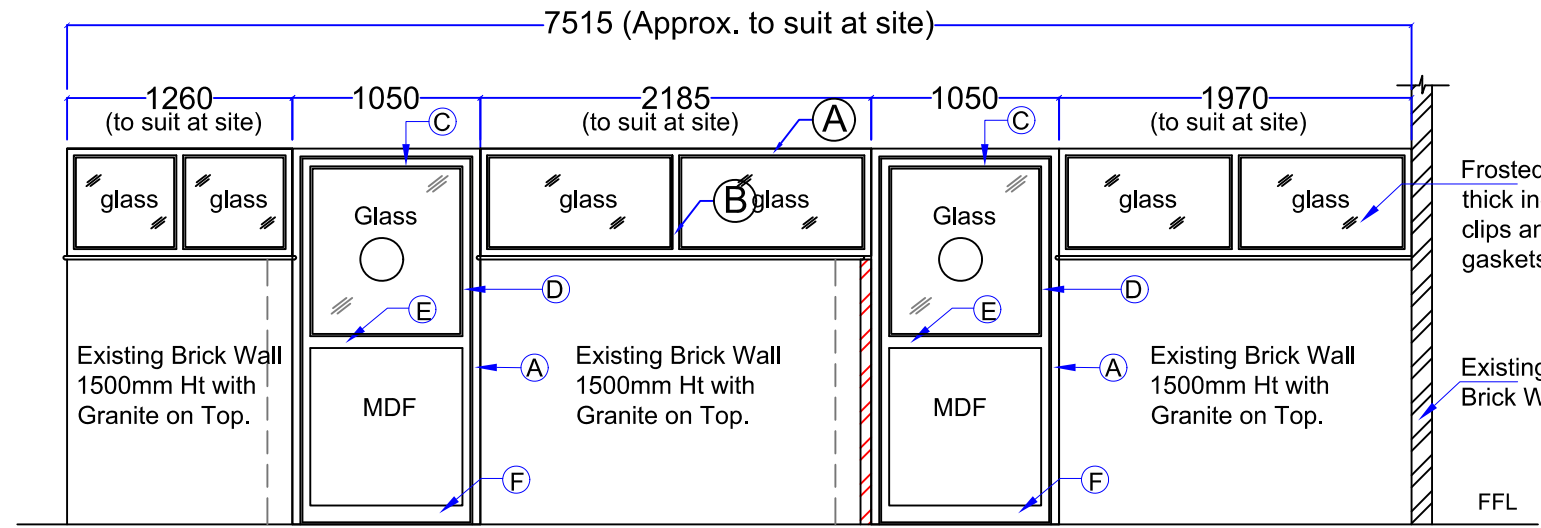
SCHEDULE ITEM NO: 34(c)&(d)

**Furniture Fittings for single shutter door:-**

1. 150x12mm long Alu. towerbolt - 1 no.
2. 125mm long Alu. hinges with screws - 3 nos.
3. 150X200mm Butterfly type handle - 2 nos.
4. Alu. door stopper with single rod - 1 no.
5. Lock - 6 lever (leader brand) - 1 no.
6. Door bush (Nylon) - 1 no.

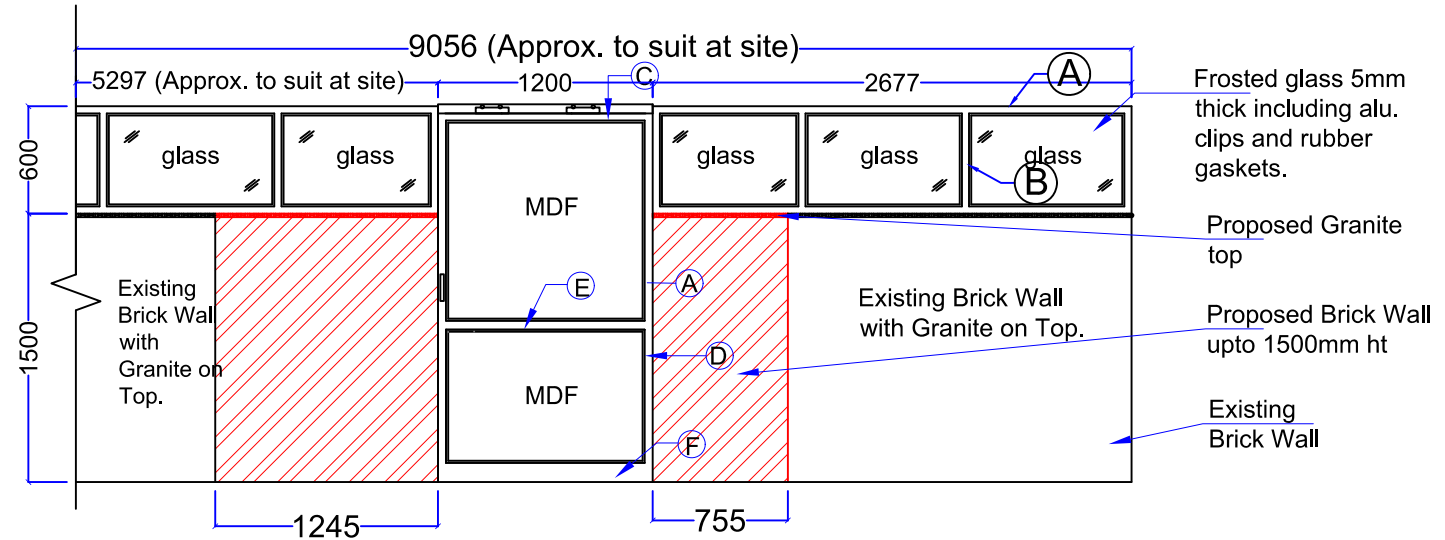
**Furniture Fittings for single shutter door:-**

1. Sliding Door Lock (leader brand) - 1no.
2. D type foldable handle - 1no.
3. 150mm alu.D type handle - 1no.



**AG-3 Alu. Partition -7515mmX600mm**  
**PARTITION IN ROOM-18,19 & 20 - VIEW -4**  
 Schedule Item No: 34(e)

**ALUMINIUM DOOR- AD1 (1050X2100)**  
 Schedule Item No: 34(c)



**AG-4 Alu. Partition -9056mmX600mm**  
**PARTITION IN ROOM-15 & 16 - VIEW -3**  
 Schedule Item No: 34(a)

**SD1 - 1200 x 2100mm**  
 SCHEDULE ITEM NO:34(a)

**Note:**

1. All dimensions are in mm.
2. All alu. fittings are of ISI make, unless otherwise mentioned.
3. All sizes mentioned are approximate to suit site conditions and as per actual measurements.
4. All MDF boards material shall be of duratuff exterior grade or equivalent make.
5. All aluminium sections are of anodised coated. (approved colour)
6. All Aluminium sections mentioned are of Jindal / approved equivalent make.
7. All panel sizes are as per Engineer's instructions.
8. All glass items mentioned in partition and doors are of MODI/SAINT GOBAIN/ appd. equivalent.

**DETAILS OF ALU. MEMBERS AS PER JINDAL - CATALOG - 2008**

MEMBER	SECTION NO	SECTION SIZE IN MM	THICKNESS SIZE IN MM	SECTION WEIGHT kg/m	
A	PARTITION / DOOR OUTER FRAME	20073	63.50x38.10	1.95	1.092
B	PARTITION - INTERMEDIATE	20072	63.50x38.10	1.85	1.095
C	DOOR SHUTTER - TOP RAIL	19571	47.62x44.50	1.95	0.974
D	DOOR SHUTTER - VERTICAL	19569	47.62x44.50	2.02	1.052
E	DOOR SHUTTER - LOCK RAIL	19575	49.91x44.50	1.60	0.882
F	DOOR SHUTTER - BOTTOM RAIL	19556	101.60x44.50	2.50	1.943
G	BOX SECTION PLAIN	14101	63.50x38.10	1.75	0.974
CLIP FOR HOLDING MDF - BOARD (OR) GLASS		19370		0.80	0.109
'F' SECTION FOR HOLDING GRILL		17602	23.40x15.30	1.40	0.193

TENDER PURPOSE ONLY

**CHRISTIAN MEDICAL COLLEGE -VELLORE.**

MODIFICATION TO EXISTING DENTAL OPD IN FIRST FLOOR  
 OPD BLOCK AT CMC TOWN CAMPUS

JOINERY DETAILS

CHKD BY: DEVAK.I.G	DATE : 29.08.2024	PLANNING ENGINEER
DRAWN: NESSA	DRG.NO:CMC/OPD/J-001	